

SMALL 'D' SHACKLES

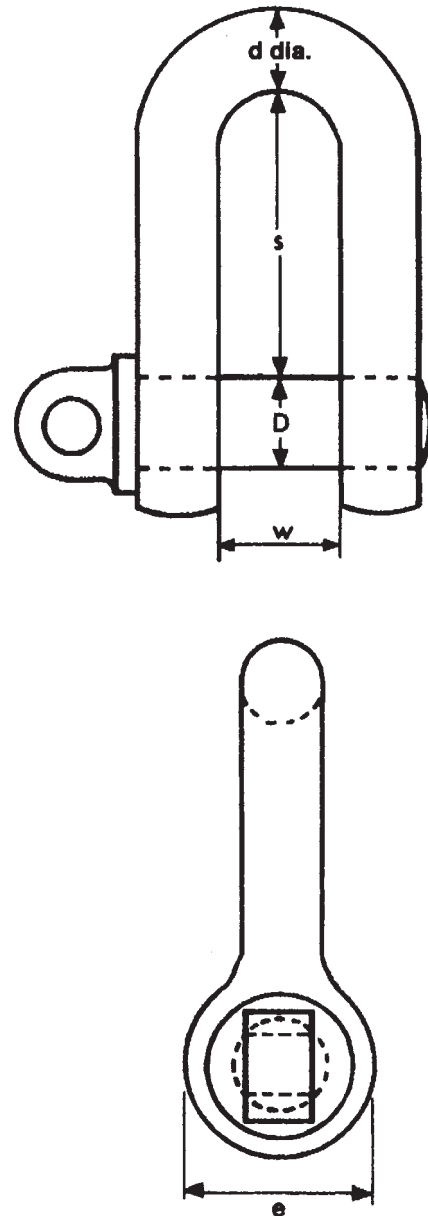
BS 3032 TABLE 1

HW 181

ILLUSTRATED WITH TYPE 'A' PIN
ALSO AVAILABLE WITH C, D, E AND F TYPE PINS

PART No.	SWL		d in mm	D in mm	w in mm	s in mm	e in mm	Weight Each Kgs
	Tons	Cwts						
HW181/2		12	$\frac{3}{8}$	$\frac{1}{2}$	$\frac{5}{8}$	$1\frac{3}{8}$	1	0.1
			10	13	16	35	25	
HW181/3	1	0	$\frac{1}{2}$	$\frac{5}{8}$	$\frac{7}{8}$	$1\frac{7}{8}$	$1\frac{1}{4}$	0.3
			13	16	22	48	32	
HW181/4	1	15	$\frac{5}{8}$	$\frac{3}{4}$	1	$2\frac{1}{4}$	$1\frac{1}{2}$	0.6
			16	19	25	57	38	
HW181/5	2	10	$\frac{3}{4}$	$\frac{7}{8}$	$1\frac{1}{4}$	$2\frac{3}{4}$	$1\frac{3}{4}$	1.0
			19	22	32	70	44	
HW181/6	3	10	$\frac{7}{8}$	1	$1\frac{3}{8}$	$3\frac{1}{4}$	2	1.5
			22	25	35	83	50	
HW181/7	4	10	1	$1\frac{1}{8}$	$1\frac{1}{2}$	$3\frac{5}{8}$	$2\frac{1}{4}$	2.3
			25	29	38	92	57	
HW181/8	5	10	$1\frac{1}{8}$	$1\frac{1}{4}$	$1\frac{3}{4}$	$4\frac{1}{8}$	$2\frac{1}{2}$	3.3
			29	32	44	105	64	
HW181/9	7	0	$1\frac{1}{4}$	$1\frac{3}{8}$	$1\frac{7}{8}$	$4\frac{1}{2}$	$2\frac{3}{4}$	4.5
			32	35	48	114	70	
HW181/10	8	0	$1\frac{3}{8}$	$1\frac{1}{2}$	$2\frac{1}{8}$	5	3	6.0
			35	38	54	127	76	
HW181/11	10	15	$1\frac{1}{2}$	$1\frac{3}{4}$	$2\frac{3}{8}$	$5\frac{1}{2}$	$3\frac{1}{2}$	8.6
			38	44	60	140	89	
HW181/12	13	0	$1\frac{5}{8}$	$1\frac{7}{8}$	$2\frac{1}{2}$	$5\frac{7}{8}$	$3\frac{3}{4}$	9.5
			41	48	64	149	95	
HW181/13	14	15	$1\frac{3}{4}$	2	$2\frac{3}{4}$	$6\frac{3}{8}$	4	12.5
			44	50	70	162	102	
HW181/14	16	15	$1\frac{7}{8}$	$2\frac{1}{8}$	$2\frac{7}{8}$	$6\frac{3}{4}$	$4\frac{1}{4}$	15.3
			48	54	73	171	108	
HW181/15	19	0	2	$2\frac{1}{4}$	3	$7\frac{1}{4}$	$4\frac{1}{2}$	18.4
			50	57	76	184	114	
HW181/16	20	0	$2\frac{1}{8}$	$2\frac{3}{8}$	$3\frac{1}{4}$	$7\frac{3}{4}$	$4\frac{3}{4}$	22.3
			54	60	83	197	121	
HW181/17	25	0	$2\frac{3}{8}$	$2\frac{3}{4}$	$3\frac{5}{8}$	$8\frac{5}{8}$	$5\frac{1}{2}$	30.9
			60	70	92	219	140	
HW181/18	30	0	$2\frac{1}{2}$	$2\frac{7}{8}$	$3\frac{3}{8}$	9	$5\frac{3}{4}$	35.9
			64	73	98	229	146	
HW181/19	35	0	$2\frac{3}{4}$	$3\frac{1}{8}$	$4\frac{1}{4}$	10	$6\frac{1}{4}$	48.1
			70	80	108	254	159	
HW181/20	40	0	$2\frac{7}{8}$	$3\frac{1}{4}$	$4\frac{3}{8}$	$10\frac{3}{8}$	$6\frac{1}{2}$	54.9
			73	83	111	264	165	
HW181/21	50	0	$3\frac{1}{4}$	$3\frac{3}{4}$	5	$11\frac{3}{4}$	$7\frac{1}{2}$	79.0
			83	95	127	298	191	
HW181/22	65	0	$3\frac{5}{8}$	$4\frac{1}{4}$	$5\frac{1}{2}$	$13\frac{1}{8}$	$8\frac{1}{2}$	109.9
			92	108	140	334	216	
HW181/23	80	0	4	$4\frac{5}{8}$	$6\frac{1}{8}$	$14\frac{1}{2}$	$9\frac{1}{4}$	147.6
			102	117	156	368	235	

Metric dimensions are approximate values only



SHACKLES ALSO MANUFACTURED
TO ORDER TO BS 6994 AND TO
CUSTOMER SPECIFICATION IN
H.T. STEEL AND STAINLESS STEEL.

LARGE 'D' SHACKLES

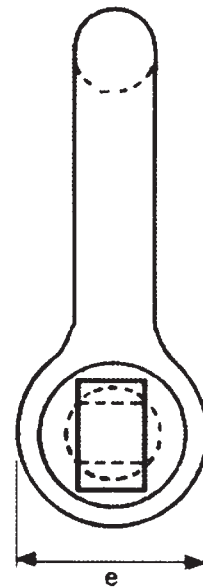
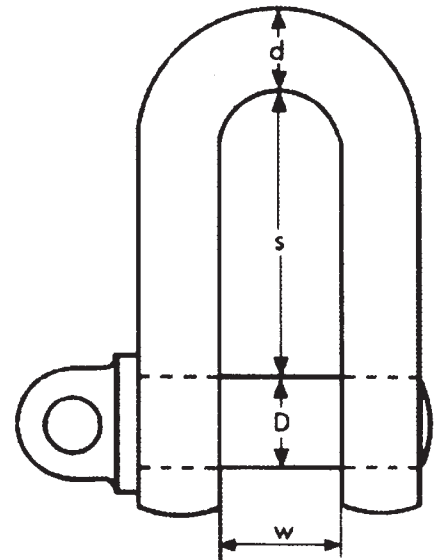
BS 3032 TABLE 2

HW 180

ILLUSTRATED WITH TYPE 'A' PIN
ALSO AVAILABLE WITH C, D, E AND F TYPE PINS

PART No.	SWL		d in mm	D in mm	w in mm	s in mm	e in mm	Weight Each Kgs
	Tons	Cwts						
HW180/2	10		$\frac{3}{8}$	$\frac{1}{2}$	$\frac{3}{4}$	$1\frac{1}{2}$	1	0.1
			10	13	19	38	25	
HW180/3	15		$\frac{1}{2}$	$\frac{5}{8}$	$1\frac{1}{8}$	$2\frac{1}{8}$	$1\frac{1}{4}$	0.3
			13	16	29	54	32	
HW180/4	1	10	$\frac{5}{8}$	$\frac{3}{4}$	$1\frac{1}{4}$	$2\frac{1}{2}$	$1\frac{1}{2}$	0.6
				16	19	32	64	
HW180/5	2	0	$\frac{3}{4}$	$\frac{7}{8}$	$1\frac{1}{2}$	$2\frac{7}{8}$	$1\frac{3}{4}$	0.9
				19	22	38	73	
HW180/6	3	0	$\frac{7}{8}$	1	$1\frac{3}{4}$	$3\frac{1}{4}$	2	1.6
				22	25	44	83	
HW180/7	3	15	1	$1\frac{1}{8}$	2	$3\frac{3}{4}$	$2\frac{1}{4}$	2.3
				25	28	50	95	
HW180/8	5	0	$1\frac{1}{8}$	$1\frac{1}{4}$	$2\frac{1}{8}$	$4\frac{1}{8}$	$2\frac{1}{2}$	3.2
				29	32	54	105	
HW180/9	6	0	$1\frac{1}{4}$	$1\frac{3}{8}$	$2\frac{3}{8}$	$4\frac{1}{2}$	$2\frac{3}{4}$	4.5
				32	35	60	114	
HW180/10	7	0	$1\frac{3}{8}$	$1\frac{1}{2}$	$2\frac{5}{8}$	5	3	6.1
				35	38	67	127	
HW180/11	9	10	$1\frac{1}{2}$	$1\frac{3}{4}$	$2\frac{3}{4}$	$5\frac{5}{8}$	$3\frac{1}{2}$	8.7
				38	44	70	137	
HW180/12	11	5	$1\frac{5}{8}$	$1\frac{7}{8}$	3	$5\frac{3}{4}$	$3\frac{3}{4}$	10.0
				41	48	76	143	
HW180/13	13	0	$1\frac{3}{4}$	2	$3\frac{1}{4}$	$6\frac{1}{8}$	4	12.5
				44	50	83	156	
HW180/14	14	5	$1\frac{7}{8}$	$2\frac{1}{8}$	$3\frac{5}{8}$	7	$4\frac{1}{4}$	15.2
				48	54	92	178	
HW180/15	16	5	2	$2\frac{1}{4}$	$3\frac{7}{8}$	$7\frac{3}{8}$	$4\frac{1}{2}$	18.5
				50	57	98	187	
HW180/16	18	0	$2\frac{1}{8}$	$2\frac{3}{8}$	$4\frac{1}{8}$	$7\frac{3}{4}$	$4\frac{3}{4}$	18.5
				54	60	105	197	
HW180/17	20	0	$2\frac{1}{4}$	$2\frac{1}{2}$	$4\frac{1}{4}$	$8\frac{1}{4}$	5	22.3
				57	64	108	210	
HW180/18	25	0	$2\frac{1}{2}$	$2\frac{7}{8}$	$4\frac{3}{4}$	$9\frac{1}{4}$	$5\frac{3}{4}$	26.3
				62	73	121	235	
HW180/19	30	0	$2\frac{3}{4}$	$3\frac{1}{8}$	$5\frac{1}{4}$	$10\frac{1}{4}$	$6\frac{1}{4}$	31.1
				70	79	133	260	
HW180/20	35	0	3	$3\frac{3}{8}$	$5\frac{3}{4}$	11	$6\frac{3}{4}$	62.7
				76	86	146	279	
HW180/21	40	0	$3\frac{1}{8}$	$3\frac{1}{2}$	$5\frac{7}{8}$	$11\frac{1}{2}$	7	70.8
				79	89	149	292	
HW180/22	50	0	$3\frac{1}{2}$	4	$6\frac{3}{4}$	13	8	99.4
				89	102	171	330	
HW180/23	65	0	4	$4\frac{1}{2}$	$7\frac{1}{2}$	$14\frac{3}{4}$	9	148.5
				102	114	191	375	
HW180/24	80	0	$4\frac{1}{2}$	5	$8\frac{5}{8}$	$16\frac{1}{2}$	10	211.6
				114	127	219	419	

Metric dimensions are approximate values only



SHACKLES ALSO MANUFACTURED
TO ORDER TO BS 6994 AND TO
CUSTOMER SPECIFICATION IN
H.T. STEEL AND STAINLESS STEEL.

LARGE BOW SHACKLES

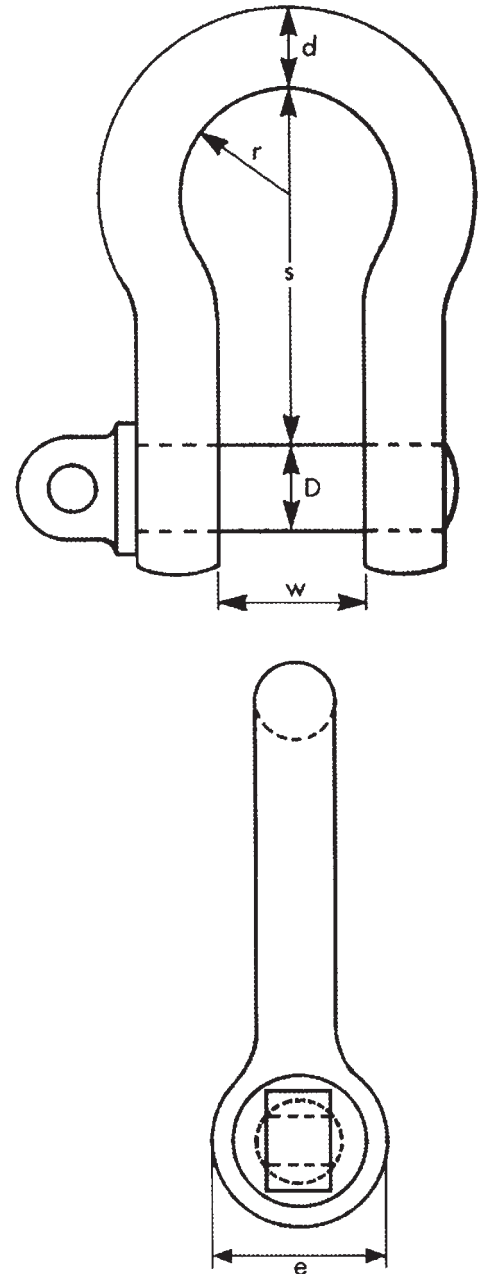
BS 3032 TABLE 3

HW 182

ILLUSTRATED WITH TYPE 'A' PIN
ALSO AVAILABLE WITH C, D, E AND F TYPE PINS

PART No.	SWL		d in mm	D in mm	w in mm	2r in mm	s in mm	e in mm	Weight Each Kgs
	Tons	Cwts							
HW182/2		9	³ / ₈	¹ / ₂	⁵ / ₈	1	¹ / ₂	1	0.1
			10	13	16	25	41	25	
HW182/3		15	¹ / ₂	⁵ / ₈	⁷ / ₈	¹ / ₄	² / ₈	¹ / ₄	0.3
			13	16	22	32	54	32	
HW182/4	1	5	⁵ / ₈	³ / ₄	¹ / ₈	¹ / ₂	² / ₄	¹ / ₂	0.6
			16	19	29	41	70	38	
HW182/5	2	0	³ / ₄	⁷ / ₈	¹ / ₈	2	³ / ₈	¹ / ₄	1.0
			19	22	35	50	86	44	
HW182/6	2	15	⁷ / ₈	1	¹ / ₈	² / ₄	³ / ₈	2	1.6
			22	25	41	57	98	50	
HW182/7	3	15	1	¹ / ₈	¹ / ₄	² / ₂	⁴ / ₄	² / ₄	2.4
			25	29	44	64	108	57	
HW182/8	4	15	¹ / ₈	¹ / ₄	2	² / ₈	⁴ / ₈	² / ₂	3.4
			29	32	50	73	124	64	
HW182/9	5	15	¹ / ₄	¹ / ₈	² / ₄	³ / ₄	⁵ / ₈	² / ₄	4.8
			32	35	57	83	137	70	
HW182/10	7	5	¹ / ₈	¹ / ₂	² / ₂	³ / ₂	6	3	6.2
			35	38	64	89	152	76	
HW182/11	8	10	¹ / ₂	¹ / ₄	² / ₄	³ / ₈	⁶ / ₈	³ / ₂	9.1
			38	44	70	98	168	89	
HW182/12	9	10	¹ / ₈	¹ / ₈	3	⁴ / ₈	⁷ / ₈	³ / ₄	10.4
			41	48	76	111	187	95	
HW182/13	11	10	¹ / ₄	2	³ / ₈	⁴ / ₄	⁸ / ₈	4	13.1
			44	50	86	121	206	102	
HW182/14	13	0	¹ / ₈	² / ₈	³ / ₈	⁵ / ₈	⁸ / ₄	⁴ / ₄	15.9
			48	54	92	130	222	108	
HW182/15	15	0	2	² / ₄	³ / ₈	⁵ / ₂	⁹ / ₈	⁴ / ₂	19.5
			50	57	98	140	238	114	
HW182/16	18	10	² / ₄	² / ₂	⁴ / ₈	6	¹⁰ / ₈	5	27.7
			57	64	105	152	257	127	
HW182/17	20	0	² / ₈	² / ₈	⁴ / ₈	⁶ / ₈	¹⁰ / ₄	⁵ / ₄	32.7
			60	67	111	162	273	133	
HW182/18	25	0	² / ₈	² / ₈	⁴ / ₄	7	¹¹ / ₈	⁵ / ₄	44.0
			67	73	121	178	302	146	
HW182/19	30	0	² / ₈	³ / ₈	⁵ / ₄	⁷ / ₄	13	⁶ / ₄	57.7
			73	79	133	197	330	159	
HW182/20	35	0	³ / ₈	³ / ₈	⁵ / ₄	⁸ / ₈	¹⁴ / ₈	⁶ / ₄	74.0
			79	86	146	213	359	171	
HW182/21	40	0	³ / ₈	³ / ₈	⁶ / ₄	9	¹⁵ / ₄	⁷ / ₄	93.1
			86	92	159	229	388	184	
HW182/22	50	0	³ / ₄	4	⁶ / ₄	10	¹⁶ / ₈	8	128.0
			95	114	171	254	429	203	
HW182/23	65	0	⁴ / ₄	⁴ / ₈	⁷ / ₄	¹¹ / ₄	19	⁹ / ₄	186.1
			108	117	197	286	483	235	
HW182/24	80	0	⁴ / ₈	5	⁸ / ₂	¹² / ₈	21	10	239.7
			117	127	216	308	534	254	

Metric dimensions are approximate values only



SHACKLES ALSO MANUFACTURED
TO ORDER TO BS 6994 AND TO
CUSTOMER SPECIFICATION IN
H.T. STEEL AND STAINLESS STEEL.

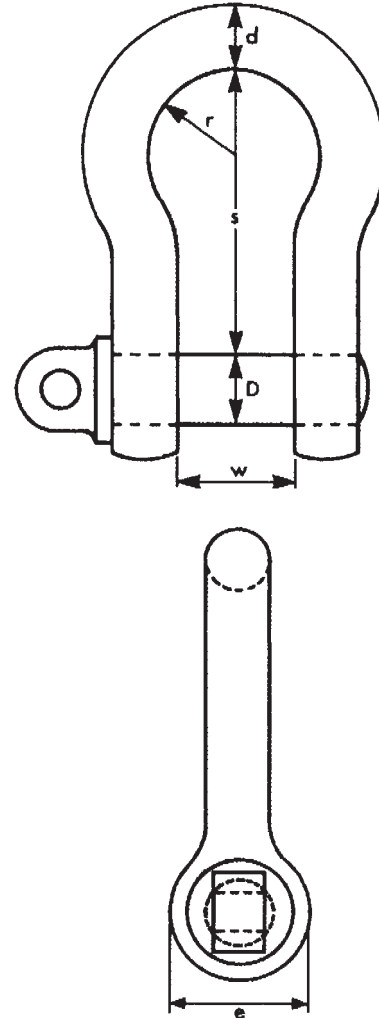
SMALL BOW SHACKLES

BS 3032 TABLE 4

HW 183

ILLUSTRATED WITH TYPE 'A' PIN
ALSO AVAILABLE WITH C, D, E AND F TYPE PINS

PART No.	SWL		d in mm	D in mm	w in mm	2r in mm	s in mm	e in mm	Weight Each Kgs
	Tons	Cwts							
HW183/2	10		$\frac{3}{8}$	$\frac{1}{2}$	$\frac{5}{8}$	$\frac{7}{8}$	$1\frac{1}{2}$	1	0.1
			10	13	16	22	38	25	
HW183/3	1	0	$\frac{1}{2}$	$\frac{5}{8}$	$\frac{7}{8}$	$1\frac{1}{8}$	2	$1\frac{1}{4}$	0.3
				13	16	22	29	50	
HW183/4	1	10	$\frac{5}{8}$	$\frac{3}{4}$	$1\frac{1}{8}$	$1\frac{1}{2}$	$2\frac{1}{2}$	$1\frac{1}{2}$	0.7
				16	19	29	38	64	
HW183/5	2	0	$\frac{3}{4}$	$\frac{7}{8}$	$1\frac{3}{8}$	$1\frac{3}{4}$	3	$1\frac{3}{4}$	1.0
				19	22	35	44	76	
HW183/6	3	0	$\frac{7}{8}$	1	$1\frac{1}{2}$	2	$3\frac{1}{2}$	2	1.6
				22	25	38	50	89	
HW183/7	4	0	1	$1\frac{1}{8}$	$1\frac{3}{4}$	$2\frac{3}{8}$	4	$2\frac{1}{4}$	2.4
				25	29	44	60	102	
HW183/8	5	0	$1\frac{1}{8}$	$1\frac{1}{4}$	2	$2\frac{5}{8}$	$4\frac{1}{2}$	$2\frac{1}{2}$	3.3
				29	32	50	67	114	
HW183/9	6	5	$1\frac{1}{4}$	$1\frac{3}{8}$	$2\frac{1}{4}$	3	5	$2\frac{3}{4}$	4.6
				32	35	57	76	127	
HW183/10	7	10	$1\frac{3}{8}$	$1\frac{1}{2}$	$2\frac{3}{8}$	$3\frac{1}{4}$	$5\frac{1}{2}$	3	6.3
				35	38	60	83	140	
HW183/11	9	5	$1\frac{1}{2}$	$1\frac{3}{4}$	$2\frac{5}{8}$	$3\frac{1}{2}$	6	$3\frac{1}{2}$	8.8
				38	44	67	89	152	
HW183/12	10	10	$1\frac{5}{8}$	$1\frac{7}{8}$	$2\frac{7}{8}$	$3\frac{3}{8}$	$6\frac{1}{2}$	$3\frac{3}{4}$	10.1
				41	48	73	98	165	
HW183/13	12	10	$1\frac{3}{4}$	2	$3\frac{1}{8}$	$4\frac{1}{8}$	7	4	13.0
				44	50	79	105	178	
HW183/14	14	5	$1\frac{7}{8}$	$2\frac{1}{8}$	$3\frac{3}{8}$	$4\frac{1}{2}$	$7\frac{1}{2}$	$4\frac{1}{4}$	15.4
				48	54	86	114	191	
HW183/15	16	10	2	$2\frac{1}{4}$	$3\frac{5}{8}$	$4\frac{3}{4}$	8	$4\frac{1}{2}$	18.8
				50	57	92	121	203	
HW183/16	18	10	$2\frac{1}{8}$	$2\frac{3}{8}$	$3\frac{3}{4}$	5	$8\frac{1}{2}$	$4\frac{3}{4}$	22.7
				54	60	95	127	216	
HW183/17	20	0	$2\frac{1}{4}$	$2\frac{1}{2}$	$4\frac{1}{8}$	$5\frac{3}{8}$	9	5	26.8
				57	64	105	137	229	
HW183/18	25	0	$2\frac{1}{2}$	$2\frac{3}{4}$	$4\frac{1}{2}$	6	10	$5\frac{1}{2}$	36.7
				64	70	114	152	254	
HW183/19	30	0	$2\frac{3}{4}$	$3\frac{1}{8}$	5	$6\frac{5}{8}$	11	$6\frac{1}{4}$	49.0
				70	79	127	168	279	
HW183/20	35	0	3	$3\frac{3}{8}$	$5\frac{3}{8}$	$7\frac{1}{4}$	12	$6\frac{3}{4}$	63.6
				76	86	137	184	305	
HW183/21	40	0	$3\frac{1}{8}$	$3\frac{1}{2}$	$5\frac{5}{8}$	$7\frac{1}{2}$	$12\frac{1}{2}$	7	71.7
				79	89	143	191	318	
HW183/22	50	0	$3\frac{1}{2}$	$3\frac{7}{8}$	$6\frac{1}{4}$	$8\frac{3}{8}$	14	8	101.2
				89	98	159	213	356	
HW183/23	65	0	4	$4\frac{1}{2}$	$7\frac{1}{4}$	$9\frac{5}{8}$	16	9	150.7
				102	114	184	244	407	
HW183/24	80	0	$4\frac{1}{2}$	5	$8\frac{1}{8}$	$10\frac{3}{4}$	18	10	214.7
				114	127	206	273	457	



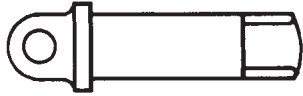
SHACKLES ALSO MANUFACTURED TO ORDER TO BS 6994 AND TO CUSTOMER SPECIFICATION IN H.T. STEEL AND STAINLESS STEEL.

Metric dimensions are approximate values only

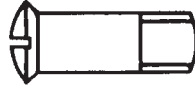
ALTERNATIVE SHACKLE PINS for BS 3032 SHACKLES

MAX RECOMMENDED DIA 2 1/2"

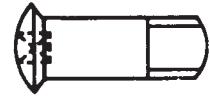
MAX RECOMMENDED DIA 2 1/2"



TYPE A SCREWED PIN WITH EYE COLLAR



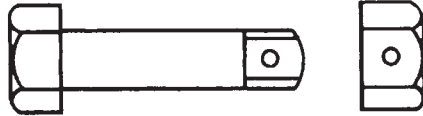
TYPE C COUNTERSUNK SCREWED PIN WITH SLOTTED HEAD



TYPE D COUNTERSUNK SCREWED PIN WITH SUNK SQUARE SOCKET



TYPE F PLAIN CYLINDRICAL PIN WITH CIRCULAR HEAD AND FORELOCK



TYPE E BOLT WITH HEXAGON HEAD, HEXAGON NUT AND SPLIT COLLAR PIN
MAX RECOMMENDED DIA 3 1/2"



WE WELCOME YOUR ENQUIRIES FOR SHACKLES TO BS 6994 - 1988

COMMERCIAL 'D' SHACKLES (Bright Zinc Plated)

HW 104

NOT RECOMMENDED FOR LIFTING PURPOSES.
PRODUCED FROM COMMERCIAL QUALITY MILD STEEL.

PART No.	d mm	D mm	w mm	s mm	e mm	Weight per 100 off Kgs
HW104/1	5	5	10	20	12	1.8
HW104/2	6	6	12	24	16	2.8
HW104/3	8	8	16	32	17	6.4
HW104/4	10	10	20	40	22	10.9
HW104/5	11	11	22	44	25	15.4
HW104/6	12	12	24	48	29	21.4
HW104/7	16	16	32	64	44	55
HW104/8	20	20	40	80	48	110
HW104/9	22	22	44	88	57	123
HW104/10	25	25	48	96	64	197

